



4" SP SERIES SUBMERSIBLE PUMPS 3600 RPM • 60 Hz

5 • 10 • 18 • 25 • 40 • 70 GPM

SP Series Submersible Pumps are manufactured using high quality materials and are designed to deliver years of dependable service. SP Series are comprised of a large selection of pump models ranging from 1/2 HP thru 10 HP with a broad variety of capacities (5 GPM - 70 GPM).

Recommended for Pumping Clear Water

QUALITY FEATURES

**STAINLESS STEEL CONSTRUCTION
DESIGNED AND BUILT FOR YEARS OF
TROUBLE FREE OPERATION**

**STAINLESS STEEL DISCHARGE HEAD
WITH BUILT-IN CHECK VALVE**

**HIGH-EFFICIENCY STAINLESS STEEL
IMPELLERS AND DIFFUSERS**

STAINLESS STEEL SUCTION SCREEN

**STAINLESS STEEL SHAFT AND
COUPLING**

**STAINLESS STEEL NEMA
FACED MOUNTING BRACKET**

Specifications subject to change without notice.



DESIGNATION

Series **SP** **10** **21 - 15**

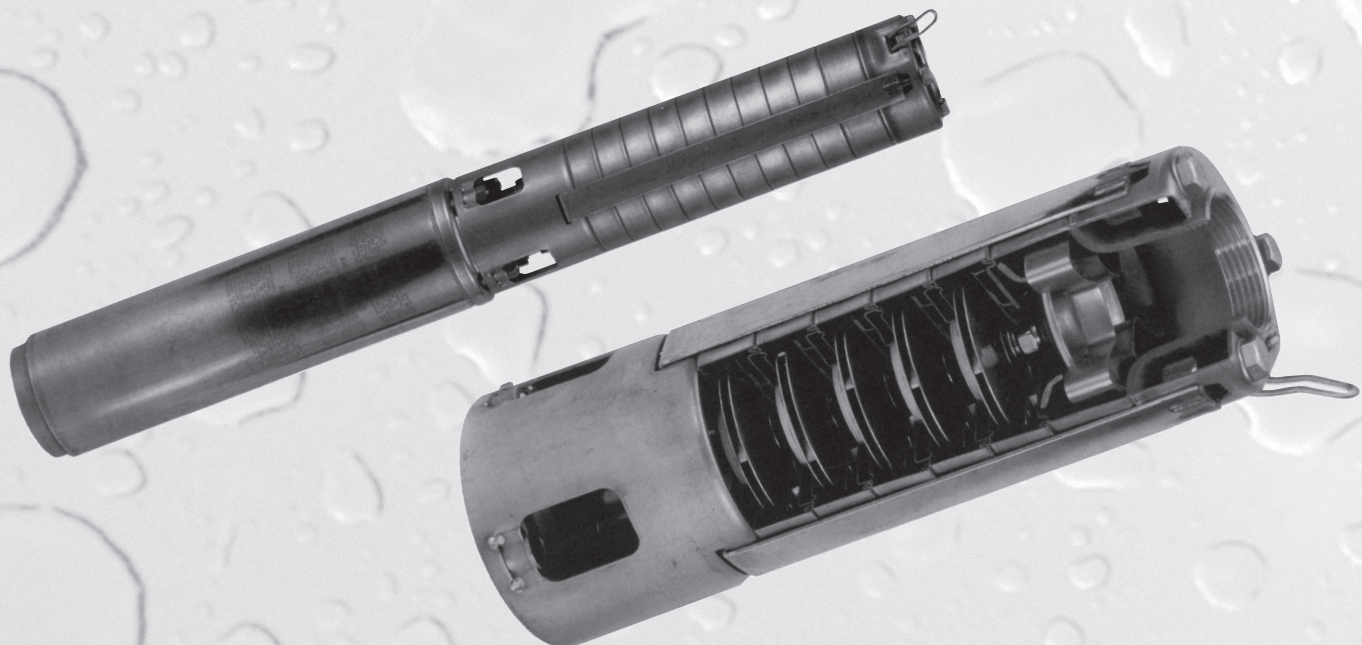
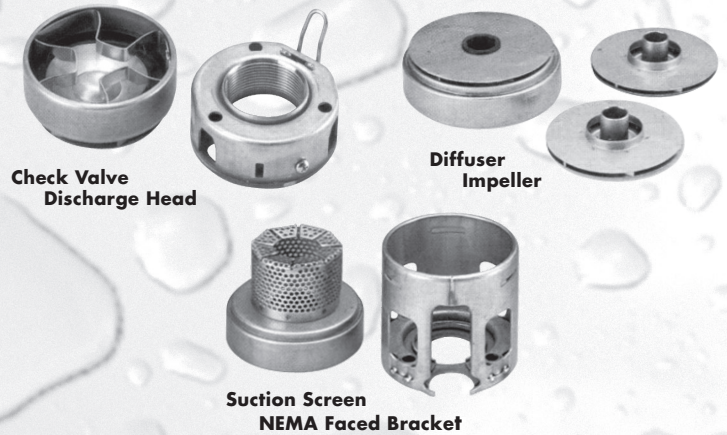
Capacity - U.S. GPM

Number of Stages

Horsepower

8" Pumps Feature:
Cast Stainless Steel 5" Discharge Head & NEMA Mounting Bracket

MATERIALS OF CONSTRUCTION		
COMPONENT	MATERIALS	STANDARD
Valve Casing	Stainless Steel	304
Valve Cup	Stainless Steel	304
Valve Seat	Stainless Steel	304
Diffuser	Stainless Steel	304
Neck Ring	NBR	
Diffuser Bearing	NBR	
Split Cone Nut	Stainless Steel	304
Split Cone	Stainless Steel	304
Impeller	Stainless Steel	304
NEMA Mounting Bracket	Stainless Steel	304
Strainer	Stainless Steel	304
Shaft	Stainless Steel	304
Strap	Stainless Steel	304
Nut for Strap	Stainless Steel	304
Coupling	Stainless Steel	304
Valve Guide	Stainless Steel	304



DISTRIBUTED BY:

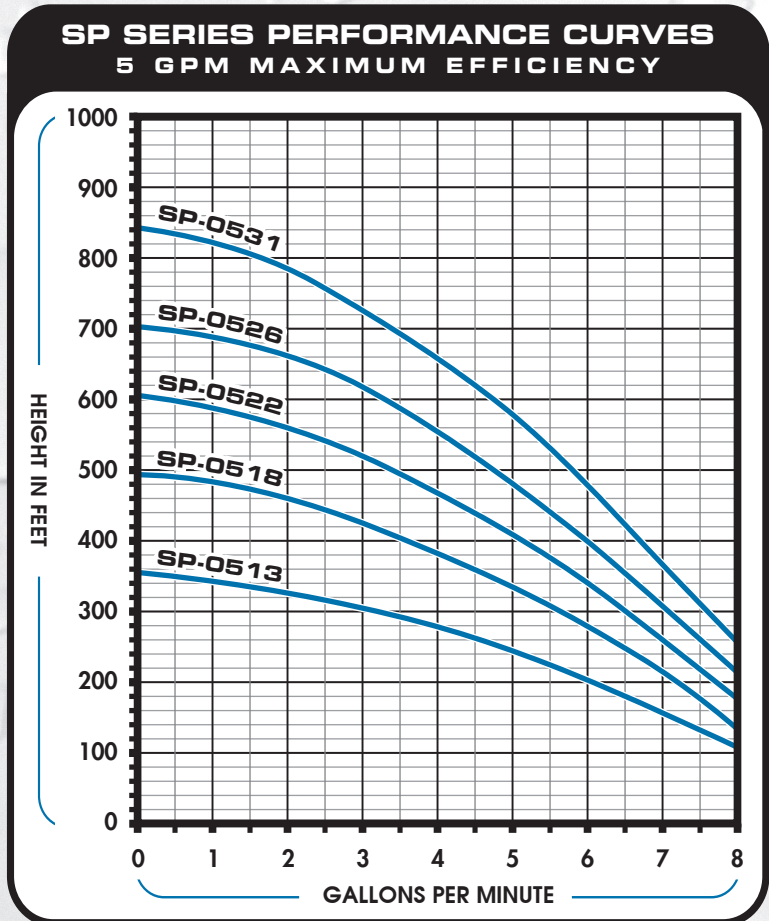
OUR PUMPS ARE POWERED BY
Franklin Electric



4" MODEL SP-05
60 Hz - 3600 RPM

5 GPM 1/2 - 1 1/2 HP 1 1/4" Discharge

MODEL	HP	STAGES	PHASE	LENGTH (IN)		WEIGHT (LB)	
				PUMP	MOTOR	PUMP	MOTOR
SP-0513	1/2	13	1	16.8	9.5	8.4	18
SP-0518	3/4	18	1	21.0	10.7	10.6	21
SP-0522	1	22	1	24.3	11.8	12.1	23
SP-0526	1 1/2	26	1	27.5	13.6	13.7	27
			3		11.8		26
SP-0531	1 1/2	31	1	31.7	13.6	15.9	27
			3		11.8		26



SELECTION CHART

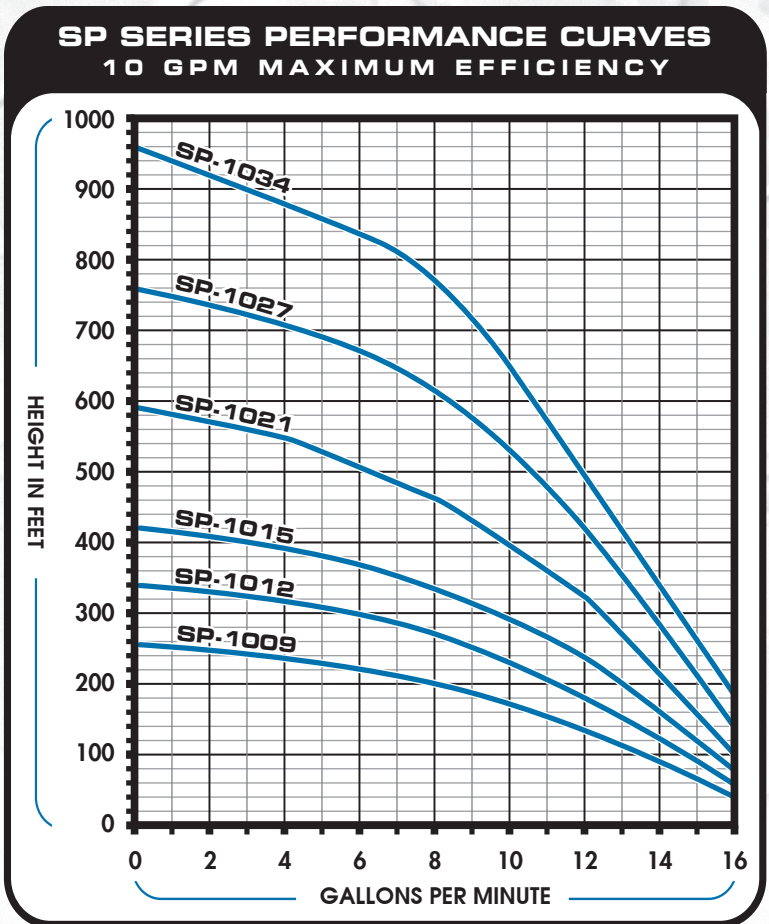
MODEL	HP	PSI	Depth to Water in Feet																											
			20	40	60	80	100	120	140	160	180	200	220	240	260	280	300	340	380	420	460	500	540	580	620	660	700	740	780	
SP-0513	1/2	0																												
		20						7.4	6.9	6.5	6.0	5.5	5.1	4.6	4.1	3.4														
		30					7.2	6.7	6.2	5.8	5.3	4.9	4.4	3.8	3.1	2.0														
		40		7.5	7.1	6.6	6.2	5.7	5.2	4.8	4.3	3.7	2.9	1.8																
		50	7.5	7.0	6.6	6.1	5.6	5.2	4.7	4.2	3.6	2.8	1.5																	
		60	7.0	6.5	6.0	5.6	5.1	4.6	4.1	3.5	2.6																			
Shut-off PSI			144	135	126	118	109	101	92	83	75	66	57	49	40	31	23													
SP-0518	3/4	0																												
		20						7.8	7.5	6.8	6.5	6.2	5.8	5.5	5.2	4.8	4.1	3.1	1.4											
		30					7.8	7.5	7.1	6.8	6.5	6.1	5.8	5.4	5.1	4.8	4.4	3.6	2.3											
		40				7.7	7.4	7.1	6.7	6.4	6.1	5.7	5.4	5.1	4.7	4.4	4.0	2.9	1.1											
		50		7.7	7.4	7.0	6.7	6.3	6.0	5.7	5.3	5.0	4.7	4.3	3.9	3.4	2.0													
		60	7.6	7.3	7.0	6.6	6.3	6.0	5.6	5.3	5.0	4.6	4.3	3.9	3.4	2.7														
Shut-off PSI			202	193	185	176	167	159	150	141	133	124	116	107	98	90	81	64	46	29	12									
SP-0522	1	0																												
		20										7.5	7.3	7.0	6.7	6.4	6.2	5.9	5.3	4.8	4.2	3.5	2.4							
		30										7.5	7.2	6.9	6.7	6.4	6.1	5.8	5.6	5.0	4.5	3.8	2.9	1.5						
		40										7.4	7.2	6.9	6.6	6.3	6.1	5.8	5.5	5.2	4.7	4.1	3.3	2.2						
		50										7.4	7.1	6.9	6.6	6.3	6.0	5.7	5.5	5.2	4.9	4.4	3.7	2.7	1.2					
		60										7.4	7.1	6.8	6.5	6.3	6.0	5.7	5.4	5.2	4.9	4.0	3.2	1.9						
Shut-off PSI								215	206	197	189	180	171	163	154	145	137	128	111	94	76	59	42	24						
SP-0526	1 1/2	0																												
		20												7.5	7.3	7.1	6.9	6.6	6.1	5.7	5.2	4.8	4.3	3.7	2.9	1.7				
		30												7.5	7.3	7.1	6.8	6.6	6.3	5.9	5.4	5.0	4.5	4.0	3.3	2.3				
		40												7.5	7.2	7.0	6.8	6.5	6.3	6.1	5.6	5.2	4.7	4.2	3.6	2.7	1.5			
		50												7.4	7.2	7.0	6.7	6.5	6.3	6.0	5.8	5.3	4.9	4.4	3.9	3.1	2.1			
		60												7.4	7.2	6.9	6.7	6.5	6.2	6.0	5.8	5.5	5.1	4.6	4.1	3.5	2.6			
Shut-off PSI									244	235	226	218	209	201	192	183	175	157	140	123	105	88	71	53	36	19				
SP-0531	1 1/2	0																												
		20																												
		30																												
		40																												
		50																												
		60																												
Shut-off PSI																														



4" MODEL SP-10
60 Hz - 3600 RPM

10 GPM 1/2 - 3 HP 1 1/4" Discharge

MODEL	HP	STAGES	PHASE	LENGTH (IN)		WEIGHT (LB)	
				PUMP	MOTOR	PUMP	MOTOR
SP-1009	1/2	9	1	13.5	9.5	6.9	18
SP-1012	3/4	12	1	16.0	10.7	8.0	21
SP-1015	1	15	1	18.5	11.8	9.3	23
SP-1021	1 1/2	21	1	23.5	13.6	12.6	27
			3		11.8		26
SP-1027	2	27	1	28.4	15.1	15.0	30
			3		13.6		28
SP-1034	3	34	1	34.2	23.5	19.0	54
			3		20.6		44



SELECTION CHART

MODEL	HP	PSI	Depth to Water in Feet																																						
			20	40	60	80	100	120	140	160	180	200	220	240	260	280	300	340	380	420	460	500	540	580	620	660	700	740	780	820	860	900									
SP-1009	1/2	0	16.2	15.5	14.8	14.0	13.1	12.1	11.0	9.8	8.3	6.3	3.1																												
		20	15.3	14.6	13.7	12.8	11.7	10.6	9.4	7.8	5.4																														
		30	14.4	13.6	12.6	11.6	10.4	9.1	7.5	5.0																															
		40	13.4	12.4	11.4	10.3	8.9	7.1	4.5																																
		50	12.3	11.2	10.1	8.7	6.8	4.0																																	
		60	11.1	9.9	8.4	6.4	3.4																																		
Shut-off PSI			101	92	84	75	66	58	49	41	32	23	15	6																											
SP-1012	3/4	0	16.0	15.5	15.0	14.4	13.8	13.1	12.3	11.5	10.7	9.8	8.7	7.4	5.6																										
		20	15.9	15.4	14.8	14.2	13.5	12.8	12.1	11.3	10.4	9.5	8.3	6.9	4.9	2.2																									
		30	15.3	14.7	14.1	13.4	12.7	12.0	11.1	10.3	9.3	8.1	6.6	4.6																											
		40	14.6	14.0	13.3	12.6	11.8	11.0	10.1	9.1	7.9	6.3	4.2																												
		50	13.9	13.2	12.5	11.7	10.9	10.0	9.0	7.7	6.0	3.8																													
		60	13.1	12.4	11.6	10.8	9.8	8.8	7.5	5.7	3.3																														
Shut-off PSI			138	129	120	112	103	94	86	77	68	60	51	42	34	25	16																								
SP-1015	1	0	16.0	15.8	15.5	15.0	14.5	13.9	13.2	12.5	11.8	11.2	10.5	9.8	8.0	5.2																									
		20	15.9	15.7	15.3	14.9	14.3	13.7	13.0	12.3	11.6	10.9	10.3	9.5	8.7	7.6	4.6																								
		30	15.9	15.6	15.3	14.8	14.2	13.6	12.9	12.2	11.5	10.8	10.1	9.4	8.5	7.4	6.1																								
		40	15.6	15.2	14.7	14.1	13.5	12.8	12.1	11.4	10.7	10.0	9.3	8.4	7.3	5.8	4.0																								
		50	15.1	14.6	14.0	13.4	12.7	12.0	11.3	10.6	9.9	9.1	8.2	7.1	5.6	3.6																									
		60	14.5	13.9	13.2	12.6	11.9	11.2	10.5	9.8	9.0	8.1	6.9	5.3	3.3																										
Shut-off PSI			174	166	157	148	140	131	122	114	105	96	88	79	70	62	53	36	18																						
SP-1021	1 1/2	0	16.4	16.2	16.0	15.8	15.5	15.3	15.1	14.8	14.6	14.2	13.9	13.5	13.1	12.6	11.8	10.8	9.8	8.5	6.9	4.6																			
		20	15.9	15.7	15.5	15.2	15.0	14.7	14.5	14.1	13.7	13.3	12.9	12.5	12.1	11.6	10.7	9.6	8.3	6.6	4.2																				
		30	16.0	15.7	15.4	15.1	14.8	14.4	14.1	13.7	13.3	12.9	12.4	12.0	11.5	11.1	10.1	8.9	7.4	5.3	2.3																				
		40	15.9	15.6	15.4	15.0	14.7	14.4	14.0	13.6	13.2	12.8	12.4	11.9	11.5	11.0	10.5	9.4	8.1	6.3	3.7																				
		50	15.6	15.3	15.0	14.7	14.3	13.9	13.6	13.2	12.7	12.3	11.9	11.4	10.9	10.4	9.9	8.7	7.1	4.9																					
		60	15.3	14.9	14.6	14.3	13.9	13.5	13.1	12.7	12.2	11.8	11.3	10.9	10.4	9.8	9.2	7.9	6.0	3.2																					
Shut-off PSI			247	239	230	222	213	204	196	187	178	170	161	152	144	135	126	109	92	74	57	40	22																		
SP-1027	2	0	16.4	16.2	16.0	15.8	15.5	15.3	15.1	14.8	14.6	14.3	14.0	13.4	12.7	12.1	11.3	10.6	9.8	8.8	7.7	6.3	4.3																		
		20	15.9	15.7	15.5	15.2	15.0	14.7	14.5	14.2	13.9	13.6	13.3	12.6	11.9	11.2	10.5	9.6	8.7	7.5	6.0	4.0																			
		30	15.9	15.7	15.2	15.0	14.7	14.4	14.1	13.8	13.5	13.2	12.9	12.2	11.5	10.8	10.0	9.1	8.0	6.7	4.9	2.5																			
		40	16.0	15.8	15.6	15.2	14.9	14.7	14.4	14.1	13.8	13.5	13.2	12.9	12.5	11.8	11.1	10.4	9.5	8.5	7.3	5.7	3.6																		
		50	16.0	15.8	15.6	15.4	15.1	14.9	14.6	14.3	14.1	13.8	13.4	13.1	12.8	12.4	12.1	11.4	10.7	9.9	9.0	7.8	6.4	4.6	2.1																
		60	15.8	15.6	15.3	15.1	14.8	14.6	14.3	14.0	13.7	13.4	13.1	12.8	12.4	12.1	11.7	11.0	10.2	9.4	8.3	7.1	5.4	3.2																	
Shut-off PSI			321	312	303	295	286	277	269	260	251	243	234	225	217	208	199	182	165	148	130	113	96	78	61	44	26														
SP-1034	3	0	15.9	15.8	15.6	15.4	15.2	15.0	14.8	14.4	14.0	13.5	13.0	12.4	11.9	11.3	10.2	10.1	9.4	8.6	7.7	6.6	5.2	3.5																	
		20	15.9	15.7	15.5	15.3	15.1	14.9	14.7	14.5	14.2	13.9	13.4	12.9	12.4	11.8	11.2	10.7	10.0	9.3	8.5	7.6	6.4	5.0	3.1																
		30	16.0	15.9	15.7	15.5	15.3	15.1	14.9	14.7	14.5	14.3	14.1	13.6	13.1	12.6	12.0	11.5	10.9	10.3	9.6	8.9	8.0	6.9	5.6	4.0															
		40	16.0	16.8	15.7	15.5	15.3	15.1	14.9	14.7	14.5	14.3	14.0	13.8	13.3	12.8	12.3	11.7	11.2	10.6	9.9	9.2	8.4	7.4	6.2	4.7	2.8														
		50	16.0	15.8	15.6	15.5	15.3	15.1	14.9	14.7	14.5	14.2	14.0	13.8	13.5	13.0	12.5	12.0	11.4	10.8	10.2	9.5	8.7	7.8	6.7	5.4	3.7														
		60	15.9	15.8	15.6	15.4	15.2	15.1	14.9	14.6	14.4	14.2	14.0	13.7	13.5	13.2	12.7	12.2	11.6	11.1	10.5	9.8	9.1	8.2	7.2	6.0	4.5	2.5													
Shut-off PSI			406	397	389	380	371	363	354	345	337	328	319	311	302	293	285	268	250	233	216	198	181	164	146	129	112	94	77	60	42	25									

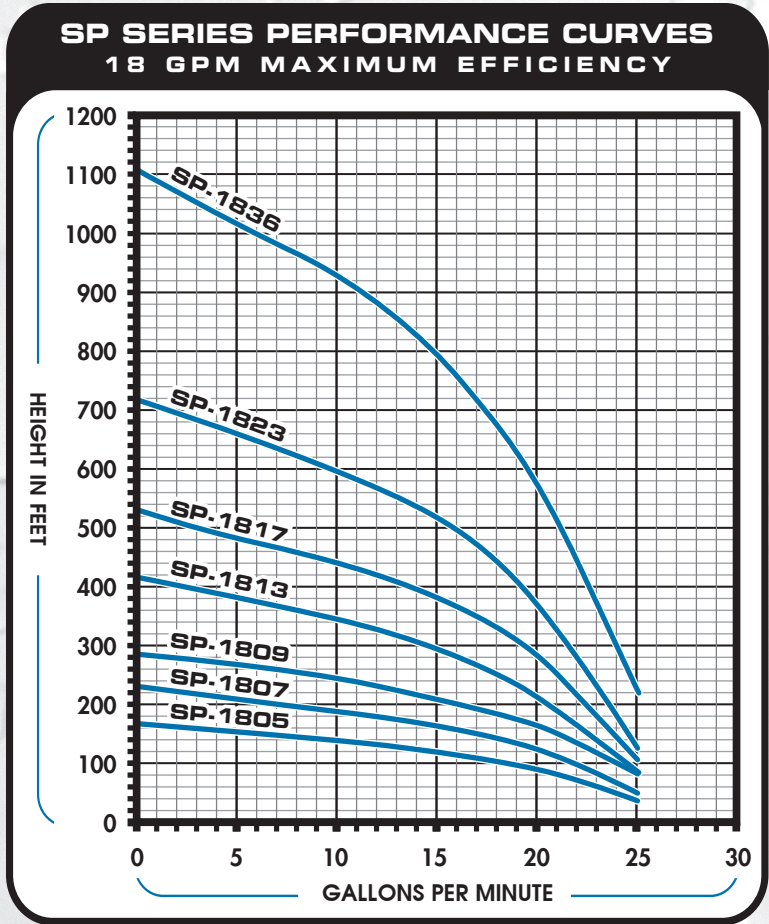


4" MODEL SP-18
60 Hz - 3600 RPM

18 GPM 1/2 - 5 HP 1 1/4" Discharge

MODEL	HP	STAGES	PHASE	LENGTH (IN)		WEIGHT (LB)	
				PUMP	MOTOR	PUMP	MOTOR
SP-1805	1/2	5	1	10.3	9.5	5.1	18
SP-1807	3/4	7	1	11.7	10.7	6.0	21
SP-1809	1	9	1	13.4	11.8	6.9	23
SP-1813	1 1/2	13	1	16.9	13.6	8.6	27
			3		11.8		26
SP-1817	2	17	1	20.2	15.1	10.4	30
			3		13.6		28
SP-1823	3	23	1	25.1	23.5	13.0	54
			3		20.6		44
SP-1836	5	36	1	35.9	29.5	18.7	65
			3		23.5		50

MODEL	HP	PSI	Depth to Water in Feet																							
			20	40	60	80	100	120	140	160	180	200	220													
SP-1805	1/2	0	23.7	22.4	20.1	17.1	13.1	6.2																		
		20	21.8	19.2	16.1	11.3																				
		30	18.7	15.5	10.3																					
		40	14.9	9.2																						
		50	8.0																							
		60																								
Shut-off PSI			59	50	42	33	24	16	7																	



SELECTION CHART

MODEL	HP	PSI	Depth to Water in Feet																																						
			20	40	60	80	100	120	140	160	180	200	220	240	260	280	300	340	380	420	460	500	540	580	620	660	700	740	780	820	860	900	940	980							
SP-1807	3/4	0	25.4	23.6	22.7	21.2	19.3	17.1	14.5	10.5																															
		20	23.4	22.3	20.7	18.6	16.4	13.4	9.0																																
		30	22.1	20.4	18.3	16.0	12.9	8.1																																	
		40	20.0	18.0	15.6	12.2	7.3																																		
		50	17.6	15.1	11.6	6.3																																			
		60	14.7	10.9	5.4																																				
Shut-off PSI			86	77	69	60	51	43	34	25	17																														
SP-1809	1	0	27.7	24.4	23.4	22.6	21.3	19.6	17.7	15.6	12.8	9.1																													
		20	26.2	24.0	23.2	22.3	20.8	19.1	17.1	14.8	11.8	7.7																													
		30	23.8	23.1	22.1	20.6	18.8	16.8	14.4	11.2	7.0																														
		40	23.0	21.9	20.3	18.5	16.4	13.9	10.6	6.3																															
		50	21.7	20.0	18.2	16.1	13.5	10.0																																	
		60	19.8	17.9	15.7	13.0	9.4																																		
Shut-off PSI			113	104	95	87	78	69	61	52	43	35	26	17																											
SP-1813	1 1/2	0	27.7	24.9	23.7	23.2	22.8	22.3	21.5	20.5	19.4	18.3	17.1	15.8	14.2	9.8																									
		20	26.5	24.4	23.5	23.1	22.7	22.0	21.2	20.2	19.1	17.9	16.7	15.3	13.7	11.5	8.9																								
		30	24.2	23.5	23.1	22.6	21.9	21.0	20.0	18.9	17.8	16.5	15.1	13.4	11.2	8.5																									
		40	23.4	23.0	22.5	21.8	20.9	19.8	18.7	17.6	16.3	14.9	13.1	10.8	8.0																										
		50	22.9	22.4	21.7	20.7	19.7	18.6	17.4	16.1	14.6	12.7	10.4	7.5																											
		60	22.3	21.5	20.6	19.5	18.4	17.2	15.9	14.3	12.4	10.0	7.1																												
Shut-off PSI			167	158	150	141	132	124	115	106	98	89	80	72	63	54	46	28																							
SP-1817	2	0			27.4	25.2	24.1	23.6	23.2	22.9	22.5	22.0	21.3	20.6	19.8	18.9	17.1	15.0	12.1	8.1																					
		20	26.5	24.8	23.9	23.4	23.1	22.8	22.4	21.8	21.1	20.3	19.5	18.6	17.8	16.8	14.6	11.6	7.4																						
		30	26.2	24.6	23.8	23.4	23.1	22.7	22.3	21.7	21.0	20.2	19.4	18.5	17.6	16.7	15.6	13.0	9.3																						
		40	24.4	23.7	23.3	23.0	22.7	22.2	21.6	20.9	20.1	19.2	18.4	17.5	16.5	15.4	14.2	11.0	6.6																						
		50	23.6	23.3	23.0	22.6	22.1	21.5	20.7	19.9	19.1	18.2	17.3	16.4	15.3	14.0	12.5	8.6																							
		60	23.3	22.9	22.5	22.0	21.4	20.6	19.8	19.0	18.1	17.2	16.2	15.1	13.8	12.2	10.4	5.9																							
Shut-off PSI			221	212	204	195	186	178	169	160	152	143	134	126	117	108	100	82	65	48	30																				
SP-1823	3	0				28.3	26.2	24.9	24.2	23.7	23.4	23.2	23.0	22.7	22.3	21.9	20.9	19.7	18.5	17.1	15.6	13.8	11.4	8.3																	
		20				27.6	25.8	24.7	24.0	23.6	23.3	23.1	22.9	22.6	22.2	21.8	21.3	20.7	19.5	18.2	16.9	15.3	13.4	10.9	7.8																
		30				27.2	25.6	24.5	23.9	23.6	23.3	23.1	22.8	22.5	22.2	21.7	21.2	20.6	19.8	18.5	17.5	16.0	14.3	12.1	9.2																
		40				26.9	25.4	24.4	23.8	23.5	23.3	23.1	22.8	22.5	22.1	21.6	21.1	20.5	19.9	19.3	18.0	16.7	15.1	13.1	10.5	7.2															
		50				25.2	24.3	23.8	23.5	23.2	23.0	22.8	22.4	22.0	21.6	21.0	20.5	19.9	19.2	18.6	17.3	15.8	14.0	11.7	8.7																
		60				24.2	23.7	23.4	23.2	23.0	22.7	22.4	22.0	21.5	20.9	20.4	19.8	19.1	18.5	17.8	16.4	14.8	12.7	10.0	6.7																
Shut-off PSI			302	293	285	276	267	259	250	241	233	224	215	207	198	189	181	163	146	129	111	94	77	59	42																
SP-1836	5	0							2																																

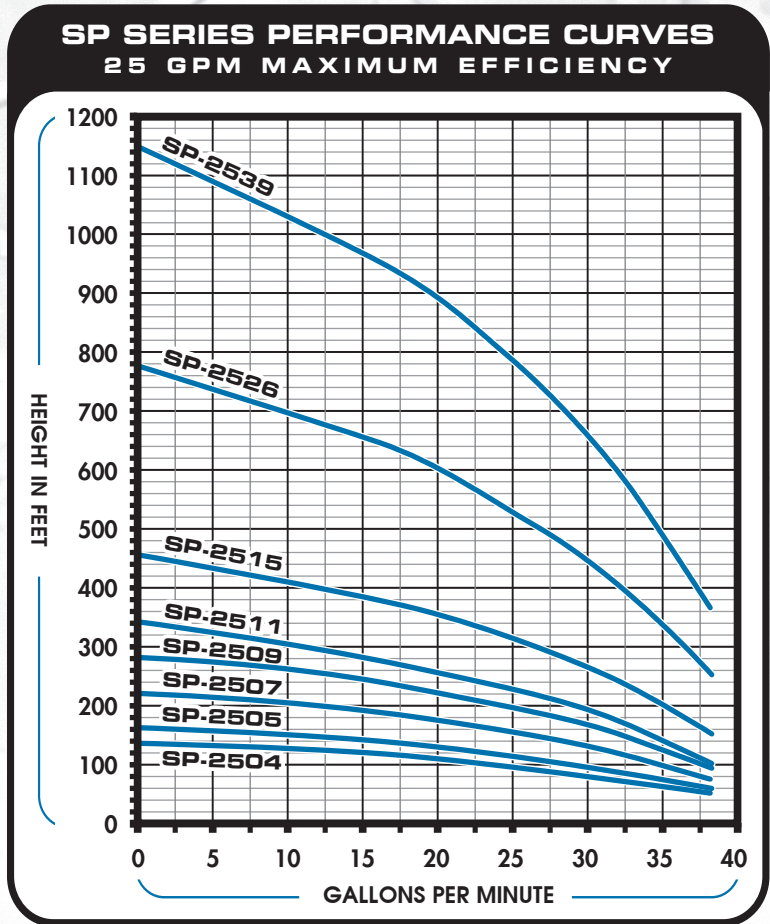


4" MODEL SP-25
60 Hz - 3600 RPM

25 GPM 1/2 - 7 1/2 HP 1 1/2" Discharge

MODEL	HP	STAGES	PHASE	LENGTH (IN)		WEIGHT (LB)	
				PUMP	MOTOR	PUMP	MOTOR
SP-2504	1/2	4	1	9.4	9.5	5.1	18
SP-2505	3/4	5	1	10.3	10.7	5.3	21
SP-2507	1	7	1	11.9	11.8	5.9	23
SP-2509	1 1/2	9	1	13.5	13.6	6.8	27
			3		11.8		26
SP-2511	2	11	1	15.2	15.1	8.1	30
			3		13.6		28
SP-2515	3	15	1	18.5	23.5	9.2	54
			3		20.6		44
SP-2526	5	26	1	27.6	29.5	14.3	65
			3		23.5		50
SP-2539	7 1/2	39	3	39.3	29.5	20.2	66

MODEL	HP	PSI	Depth to Water in Feet												
			20	40	60	80	100	120	140	160	180	200	220	240	
SP-2504	1	0	39.5	37.5	32.5	26	15.4								
		20	30.6	23.4	10.5										
		30	21.9	7.9											
Shut-off PSI			43	35	26	17	9								
SP-2505	1 1/2	0	38.3	35.9	31.3	26.0									
		20	29.7	24.0	14.7										
		30	28.9	22.9	12.8										
		40	21.6	10.7											
		50	8.7												
Shut-off PSI			56	47	39	30	21								



SELECTION CHART

MODEL	HP	PSI	Depth to Water in Feet																																				
			20	40	60	80	100	120	140	160	180	200	220	240	260	280	300	340	380	420	460	500	540	580	620	660	700	740	780	820	860	900	940	980	1020	1060	1100		
SP-2507	1	0					33.4	29.8	26.0	20.8	13.2																												
		20				32.2	28.7	24.6	18.8	10.3																													
		30			31.8	28.1	23.8	17.6	8.9																														
		40		31.2	27.5	23.0	16.4																																
		50		25.9	22.2	15.2																																	
Shut-off PSI			82	73	64	56	47	38	30	21	12																												
SP-2509	1 1/2	0						31.8	29.0	26.0	22.1	16.9	10.1																										
		20				33.7	31.0	28.1	24.9	20.7	15.0	7.8																											
		30			33.3	30.6	27.7	24.3	19.9	13.9																													
		40		32.9	30.1	27.2	23.7	19.1	12.9																														
		50		32.5	29.7	26.7	23.1	18.3	11.8																														
Shut-off PSI			107	99	90	81	73	64	55	47	38	30	21	12																									
SP-2511	2	0						32.3	29.9	27.3	24.5	21.2	17.3	12.5																									
		20				33.7	31.6	29.1	26.5	23.5	20.0	15.9	10.9																										
		30				33.4	31.2	28.7	26.0	23.0	19.5	15.2	10.1																										
		40			33.1	30.8	28.3	25.6	22.5	18.8	14.4	9.2																											
		50		32.8	30.5	27.9	25.1	22.0	18.2	13.7	8.4																												
Shut-off PSI			132	124	115	106	98	89	80	72	63	54	46	37	29	20																							
SP-2515	3	0										32.9	31.3	29.6	27.9	26.0	21.2	14.4																					
		20										32.4	30.8	29.1	27.3	25.3	23.1	20.3	13.1																				
		30										33.8	32.2	30.5	28.8	27.0	25.0	22.7	19.9	16.5	8.0																		
		40										33.5	31.9	30.2	28.5	26.7	24.7	22.3	19.4	15.9	11.8																		
		50										33.3	31.7	30.0	28.3	26.4	24.3	21.9	18.9	15.3	11.1																		
Shut-off PSI					159	150	142	133	124	116	107	98	90	81	72	64	46	29	12																				
SP-2526	5	0																					33.0	31.1	29.1	27.1	24.8	22.0	18.5	14.2	9.3								
		20																					32.7	30.8	28.8	26.7	24.4	21.5	17.9	13.5	8.5								
		30																					33.5	31.6	29.7	27.6	25.4	22.8	19.5	15.5	10.6								
		40																					33.3	32.4	30.5	28.5	26.4	24.0	21.0	17.3	12.8								
		50																					33.2	32.3	31.3	29.4	27.3	25.0	22.3	18.9	14.8	9.8							
Shut-off PSI																						33.1	32.1	30.2	28.2	26.0	23.5	20.5	16.6	12.0	6.8								
SP-2539	7 1/2	0																						33.9	32.7	31.4	30.1	28.8	27.4	26.0	24.3	22.5	20.3	17.9	15.0	11.8	8.4		
		20																						33.7	32.5	31.2	29.9	28.6	27.2	25.7	24.1	22.2	20.0	17.4	14.5	11.3	7.9		
		30																						33.0	31.8	30.5	29.2	27.8	26.4	24.8	23.0	20.9	18.6	15.8	12.7	9.3			
		40																						33.5	32.3	31.0	29.7	28.4	27.0	25.5	23.8	21.9	19.6	17.0	14.0	10.8			
		50																						32.8	31.6	30.3	29.0	27.6	26.1	24.5	22.7	20.6	18.1	15.3	12.2	8.8			
Shut-off PSI																							33.3	32.1	30.8	29.5	28.2	26.8	25.2	23.5	21.5	19.2	16.6	13.6	10.2				
Shut-off PSI																							321	304	287	269	252	235	217	200	183	165	148	131	113	96	79	61	44

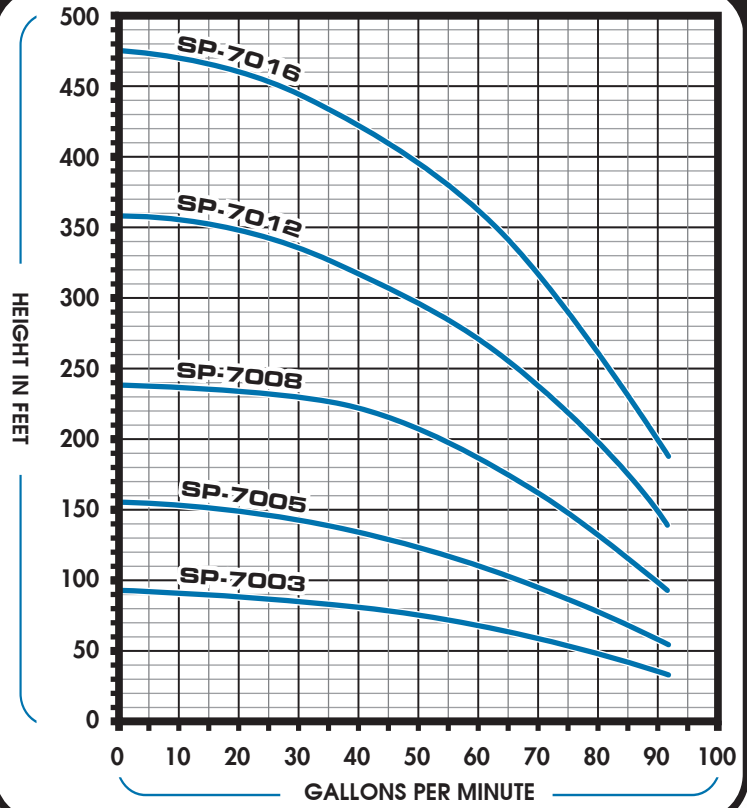


4" MODEL SP-70
60 Hz - 3600 RPM

70 GPM 2 - 10 HP 2" Discharge

MODEL	HP	STAGES	PHASE	LENGTH (IN)		WEIGHT (LB)	
				PUMP	MOTOR	PUMP	MOTOR
SP-7003	2	3	1	14.9	15.1	8.2	30
			3		13.6		28
SP-7005	3	5	1	20.0	23.5	10.4	54
			3		20.6		44
SP-7008	5	8	1	27.7	29.5	13.7	65
			3		23.5		50
SP-7012	7½	12	3	37.9	29.5	18.0	66
SP-7016	10	16	3	53	44	29	120

SP SERIES PERFORMANCE CURVES
70 GPM MAXIMUM EFFICIENCY



SELECTION CHART

MODEL	HP	PSI	Depth to Water in Feet																		
			20	40	60	80	100	120	140	160	180	200	220	240	260	280	300	340	380	420	
SP-7003	2	0																			
		20	60.8																		
		30																			
		40																			
		50																			
		60																			
Shut-off PSI			31	23	14	5															
SP-7005	3	0			91.1	78.8	68.9	51.0													
		20	89.4	75.5	64.4	44.9															
		30	74.1	61.8	42.1																
		40	58.8	39.6																	
		50	37.1																		
		60																			
Shut-off PSI			58	49	40	32	23	14													
SP-7008	5	0					88.9	84.8	78.5	69.4	59.4	49.7									
		20			87.8	83.2	75.9	66.3	65.4	46.3											
		30	91.0	87.2	82.3	74.6	64.7	54.9	44.4												
		40	86.5	81.3	73.1	63.2	53.4	42.2													
		50	80.2	71.6	61.6	51.9	39.8														
		60	70.1	60.1	50.4																
Shut-off PSI			94	86	77	68	60	51	42	34	25	16									
SP-7012	7½	0						89.2	87.7	84.8	81.0	75.7	69.4	62.7	56.1	49.7					
		20					89.4	86.9	83.8	79.5	73.9	67.4	60.6	54.2	47.5						
		30				89.0	86.4	83.2	78.7	72.9	66.3	59.6	53.2	46.3							
		40			88.6	86.0	82.6	77.9	71.9	65.3	58.6	52.2	45.0	33.0	11.3						
		50		88.2	85.5	81.9	77.0	70.9	64.2	57.6	51.2	43.7									
		60	87.8	85.1	82.3	76.1	69.9	63.2	56.6	50.2	42.2										
Shut-off PSI			146	137	128	120	111	102	94	85	76	68	59	50	42	33	24				
SP-7016	10	0						88.5	86.4	85.2	84.3	83.2	81.3	78.4	74.5	64.5	54.2	43.8			
		20					90.7	87.7	85.9	84.0	82.7	80.5	77.3	73.1	68.2	62.9	52.7	41.7			
		30				90.1	87.4	85.7	84.7	83.8	82.4	80.1	76.7	72.4	67.4	62.1	56.9	47.0			
		40			89.6	87.1	85.6	84.6	83.6	82.1	79.7	76.1	71.6	66.5	61.2	56.1	51.2				
		50		89.2	86.8	85.4	83.5	81.8	79.2	75.5	70.9	65.7	60.4	55.4	50.5	45.2					
		60	88.7	86.5	85.2	84.3	83.3	81.5	78.7	74.8	70.0	64.9	59.6	54.6	49.7	44.3					
Shut-off PSI			197	188	180	171	162	154	145	136	128	119	110	102	93	84	76	59	41	24	